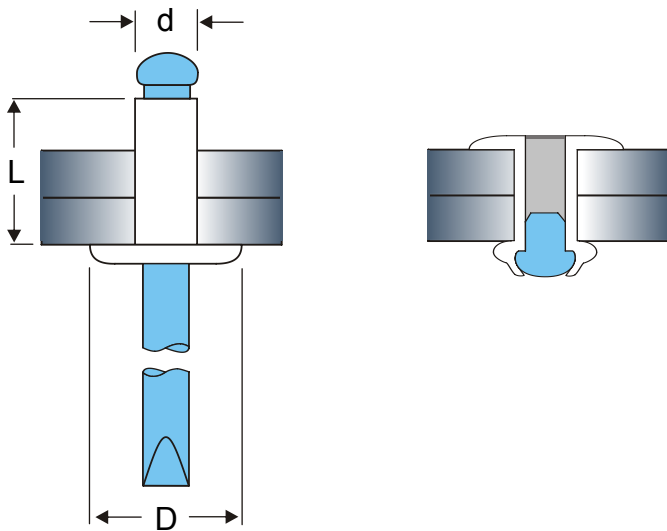
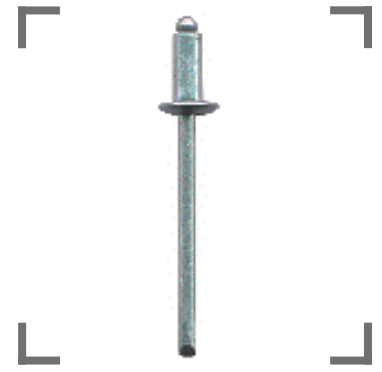
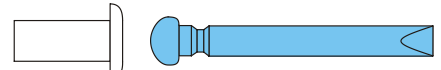


Typ 9100 AL3/ST

FLACHRUNDKOPF



Werkstoff:



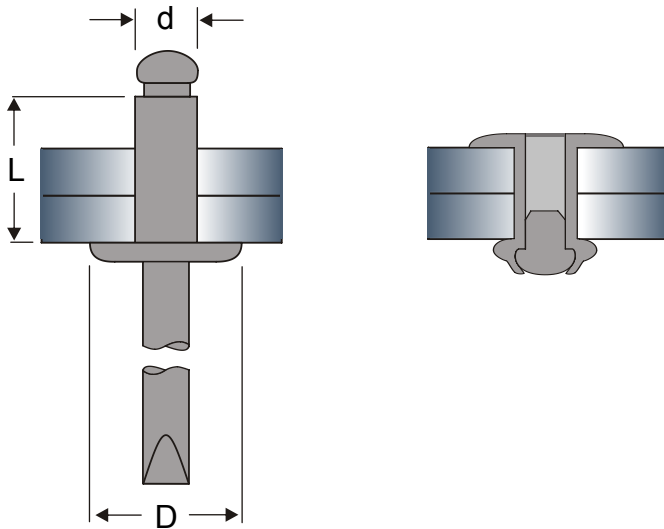
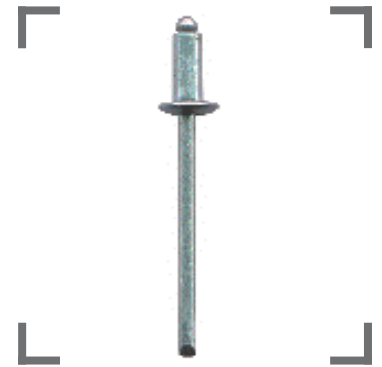
Niethülse: Aluminium - Leg. \*  
Nietnagel: Stahl, verzinkt

\* andere Farb- oder Oberflächenbeschichtungen auf Anfrage

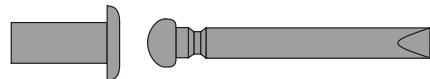
d mm	L mm	D mm	mm	mm	N	N	3B-Artikel- bezeichnung
3,2	8,0	9,5	3,3	3,0 - 5,0	980	680	3,2-9100AL3/ST-080 3,2-9100AL3/ST-100 3,2-9100AL3/ST-120 3,2-9100AL3/ST-140
	10,0			5,0 - 7,0			
	12,0			7,0 - 9,0			
	14,0			9,0 - 11,0			
4,0	8,0	10,0	4,1	3,0 - 4,0	1850	1300	4,0-9100AL3/ST-081 4,0-9100AL3/ST-101 4,0-9100AL3/ST-121 4,0-9100AL3/ST-141 4,0-9100AL3/ST-161
	10,0			4,0 - 6,0			
	12,0			6,0 - 8,0			
	14,0			8,0 - 10,0			
	16,0			10,0 - 12,0			
4,0	8,0	12,0	4,1	3,5 - 4,5	1850	1300	4,0-9100AL3/ST-080 4,0-9100AL3/ST-100 4,0-9100AL3/ST-120 4,0-9100AL3/ST-140 4,0-9100AL3/ST-160 4,0-9100AL3/ST-180 4,0-9100AL3/ST-200
	10,0			4,5 - 6,5			
	12,0			6,5 - 8,5			
	14,0			8,5 - 10,5			
	16,0			10,5 - 12,5			
	18,0			12,5 - 14,5			
	20,0			14,5 - 16,5			
4,8	8,0	14,0	5,0	3,0 - 4,0	2950	2170	4,8-9100AL3/ST-081 4,8-9100AL3/ST-101 4,8-9100AL3/ST-121 4,8-9100AL3/ST-141 4,8-9100AL3/ST-161 4,8-9100AL3/ST-181 4,8-9100AL3/ST-201 4,8-9100AL3/ST-261 4,8-9100AL3/ST-301 4,8-9100AL3/ST-351
	10,0			4,0 - 6,0			
	12,0			6,0 - 8,0			
	14,0			8,0 - 10,0			
	16,0			10,0 - 12,0			
	18,0			12,0 - 14,0			
	20,0			14,0 - 16,0			
	26,0			16,0 - 21,0			
	30,0			21,0 - 26,0			
	35,0			26,0 - 31,0			
	4,8			10,0			
12,0		6,0 - 8,0					
14,0		8,0 - 10,0					
16,0		10,0 - 12,0					
18,0		12,0 - 14,0					
20,0		14,0 - 16,0					
26,0		16,0 - 21,0					
30,0		21,0 - 26,0					
35,0		26,0 - 31,0					

Typ 9100 A2/A2


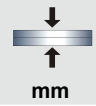
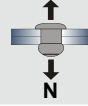
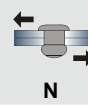
FLACHRUNDKOPF



**Werkstoff:**



Niethülse: Edelstahl (A2)  
Nietnagel: Edelstahl (A2)

d mm	L mm	D mm	 mm	 mm	 N	 N	3B-Artikel- bezeichnung
3,2	6,0 8,0 10,0	10,0	3,4	1,0 - 3,0 3,0 - 5,0 5,0 - 7,0	3300	2800	3,2-9100A2/A2-060 3,2-9100A2/A2-080 3,2-9100A2/A2-100
4,8	10,0 12,0 14,0 16,0 18,0 20,0	14,0	5,0	3,5 - 5,5 5,5 - 7,5 7,5 - 9,5 9,5 - 11,5 11,5 - 13,5 13,5 - 15,5	5600	4310	4,8-9100A2/A2-101 4,8-9100A2/A2-121 4,8-9100A2/A2-141 4,8-9100A2/A2-161 4,8-9100A2/A2-181 4,8-9100A2/A2-201
4,8	10,0 12,0 14,0 16,0 20,0	16,0	5,0	4,0 - 6,5 5,5 - 8,0 7,5 - 10,0 9,5 - 12,0 13,5 - 16,0	5600	4310	4,8-9100A2/A2-100 4,8-9100A2/A2-120 4,8-9100A2/A2-140 4,8-9100A2/A2-160 4,8-9100A2/A2-200