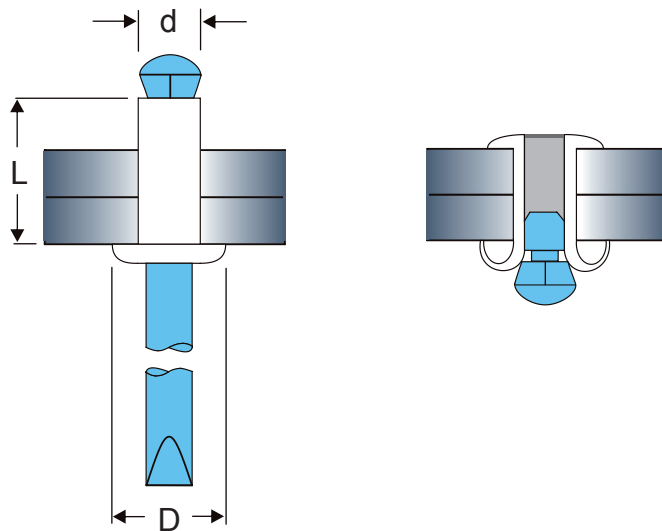
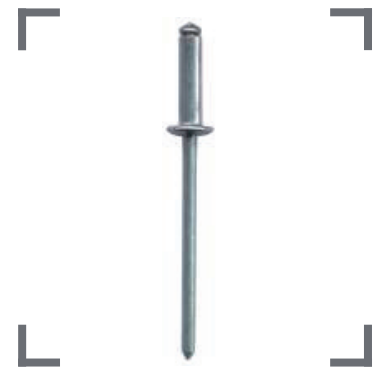


Typ 9050 AL3/ST

FLACHRUNDKOPF



**Werkstoff:**

Niethülse: Aluminium - Leg. \*  
Nietnagel: Stahl, verzinkt

\* andere Farb- oder Oberflächenbeschichtungen auf Anfrage

d mm	L mm	D mm	mm	mm	N	N	3B-Artikel- bezeichnung
4,0	12,0 16,0 20,0 26,0 30,0	8,0	4,3	3,0 - 6,0 6,0 - 10,0 10,0 - 14,0 14,0 - 18,0 18,0 - 24,0	1850	1300	4,0-9050AL3/ST-120 4,0-9050AL3/ST-160 4,0-9050AL3/ST-200 4,0-9050AL3/ST-260 4,0-9050AL3/ST-300
4,8	12,0 16,0 20,0 26,0 30,0 35,0 40,0 45,0 50,0	9,5	5,3	2,0 - 6,0 6,0 - 10,0 10,0 - 14,0 14,0 - 18,0 18,0 - 22,0 22,0 - 27,0 27,0 - 32,0 32,0 - 37,0 37,0 - 42,0	2950	2170	4,8-9050AL3/ST-120 4,8-9050AL3/ST-160 4,8-9050AL3/ST-200 4,8-9050AL3/ST-260 4,8-9050AL3/ST-300 4,8-9050AL3/ST-350 4,8-9050AL3/ST-400 4,8-9050AL3/ST-450 4,8-9050AL3/ST-500
4,0	12,0 16,0 20,0 26,0 30,0	10,0	4,3	2,0 - 6,0 6,0 - 10,0 10,0 - 14,0 14,0 - 18,0 18,0 - 24,0	1850	1300	4,0-9050AL3/ST-121 4,0-9050AL3/ST-161 4,0-9050AL3/ST-201 4,0-9050AL3/ST-261 4,0-9050AL3/ST-301
4,8	12,0 16,0 20,0 26,0 30,0 35,0	14,0	5,3	2,0 - 6,0 6,0 - 10,0 10,0 - 14,0 14,0 - 18,0 18,0 - 22,0 22,0 - 27,0	2950	2170	4,8-9050AL3/ST-121 4,8-9050AL3/ST-161 4,8-9050AL3/ST-201 4,8-9050AL3/ST-261 4,8-9050AL3/ST-301 4,8-9050AL3/ST-351