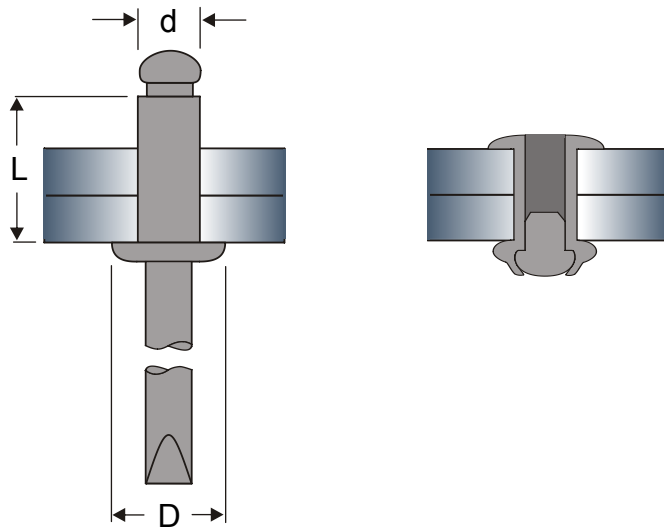
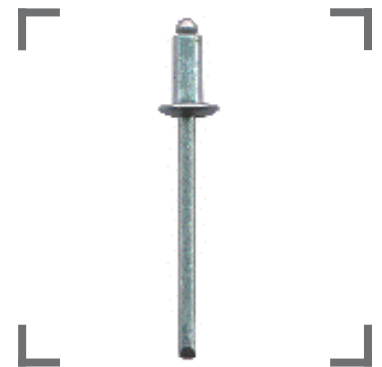
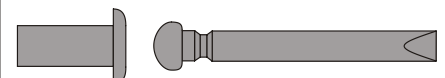


Typ 9000 A2/A2

FLACHRUNDKOPF



Werkstoff:

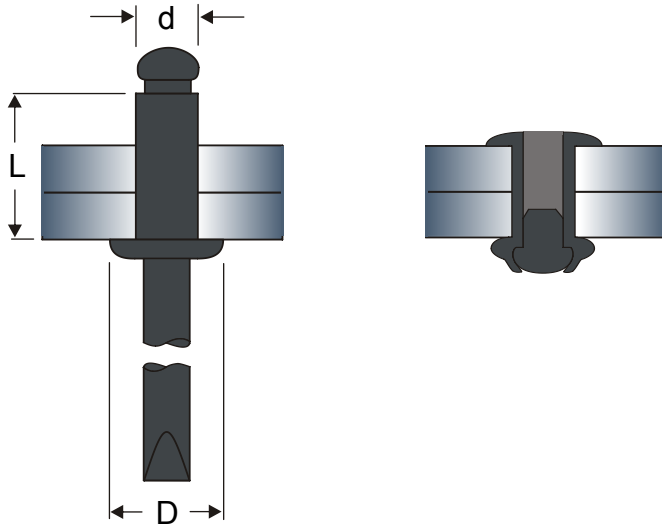
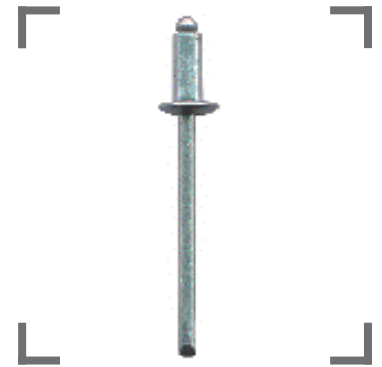


Niethülse: Edelstahl (A2)  
Nietnagel: Edelstahl (A2)

d mm	L mm	D mm	mm	mm	N	N	3B-Artikel- bezeichnung
3,0	6,0 8,0 10,0 12,0	6,0	3,1	0,5 - 3,0 3,0 - 5,0 5,0 - 7,0 7,0 - 9,0	1950	1850	3,0-9000A2/A2-060 3,0-9000A2/A2-080 3,0-9000A2/A2-100 3,0-9000A2/A2-120
3,2	6,0 8,0 10,0 12,0	6,5	3,3	0,5 - 2,5 2,5 - 4,5 4,5 - 6,5 6,5 - 8,5	2540	2450	3,2-9000A2/A2-060 3,2-9000A2/A2-080 3,2-9000A2/A2-100 3,2-9000A2/A2-120
4,0	6,0 8,0 10,0 12,0 14,0 16,0	8,0	4,1	0,5 - 2,0 2,0 - 4,0 4,0 - 6,0 6,0 - 8,0 8,0 - 10,0 10,0 - 12,0	3520	3130	4,0-9000A2/A2-060 4,0-9000A2/A2-080 4,0-9000A2/A2-100 4,0-9000A2/A2-120 4,0-9000A2/A2-140 4,0-9000A2/A2-160
4,8	8,0 10,0 12,0 14,0 16,0 18,0 20,0	9,0	5,0	1,5 - 3,5 3,5 - 5,5 5,5 - 7,5 7,5 - 9,5 9,5 - 11,5 11,5 - 13,5 13,5 - 15,5	5780	4312	4,8-9000A2/A2-080 4,8-9000A2/A2-100 4,8-9000A2/A2-120 4,8-9000A2/A2-140 4,8-9000A2/A2-160 4,8-9000A2/A2-180 4,8-9000A2/A2-200
6,4	12,0 15,0 18,0 22,0	12,0	6,5	4,0 - 7,0 7,0 - 10,0 10,0 - 13,0 13,0 - 17,0	9800	7500	6,4-9000A2/A2-120 6,4-9000A2/A2-150 6,4-9000A2/A2-180 6,4-9000A2/A2-220

Typ 9000 A4/A4


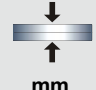
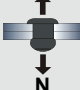
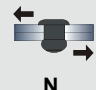
FLACHRUNDKOPF



Werkstoff:

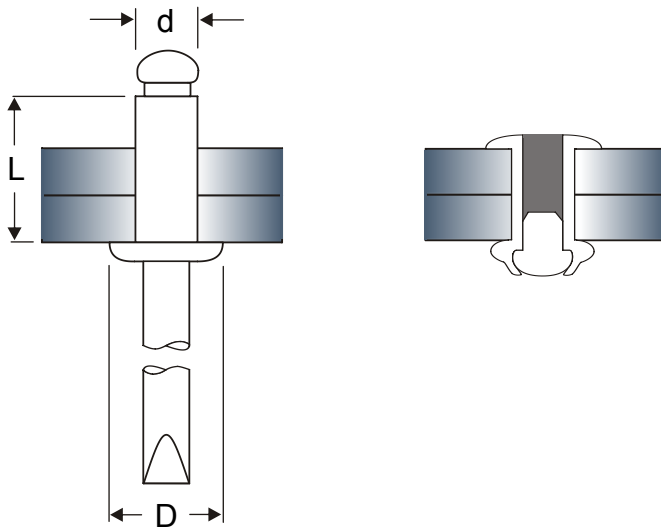
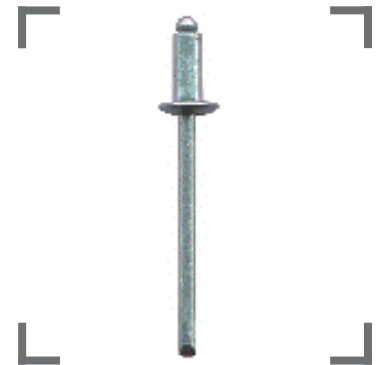


Niethülse: Edelstahl (A4)  
Nietnagel: Edelstahl (A4)

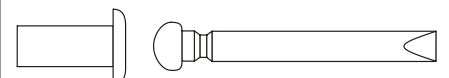
d mm	L mm	D mm	 mm	 mm	 N	 N	3B-Artikel- bezeichnung
3,2	6,0 8,0 10,0 12,0	6,5	3,3	0,5 - 2,5 2,5 - 4,5 4,5 - 6,5 6,5 - 8,5	2750	2400	3,2-9000A4/A4-060 3,2-9000A4/A4-080 3,2-9000A4/A4-100 3,2-9000A4/A4-120
4,0	8,0 10,0 12,0 14,0	8,0	4,1	2,0 - 4,0 4,0 - 6,0 6,0 - 8,0 8,0 - 10,0	4100	3400	4,0-9000A4/A4-080 4,0-9000A4/A4-100 4,0-9000A4/A4-120 4,0-9000A4/A4-140
4,8	10,0 12,0 14,0 16,0	9,0	5,0	3,5 - 5,5 5,5 - 7,5 7,5 - 9,5 9,5 - 11,5	5900	5150	4,8-9000A4/A4-100 4,8-9000A4/A4-120 4,8-9000A4/A4-140 4,8-9000A4/A4-160

### Typ 9000 AL2/AL5

FLACHRUNDKOPF



**Werkstoff:**



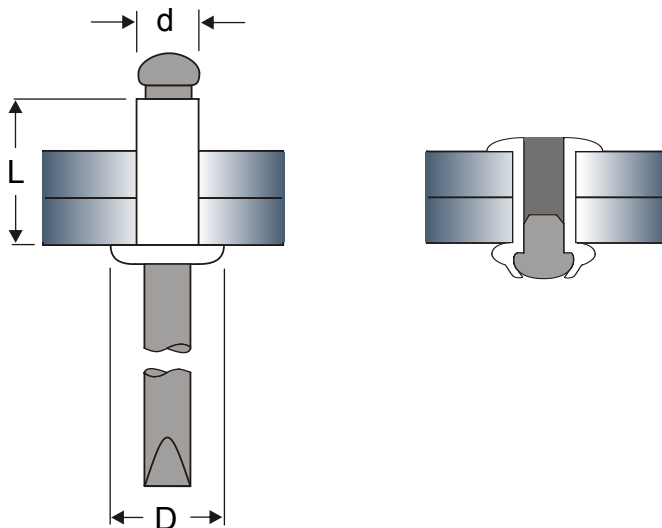
Niethülse: Aluminium - Leg. \*  
Nietnagel: Aluminium - Leg.

\* andere Farb- oder Oberflächenbeschichtungen auf Anfrage

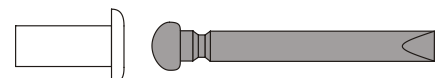
d mm	L mm	D mm	 mm	 mm	 N	 N	3B-Artikel- bezeichnung
3,2	6,0 8,0 10,0 12,0	6,5	3,3	1,0 - 3,0 3,0 - 5,0 5,0 - 7,0 7,0 - 9,0	700	400	3,2-9000AL2/AL5-060 3,2-9000AL2/AL5-080 3,2-9000AL2/AL5-100 3,2-9000AL2/AL5-120
4,0	6,0 8,0 10,0 12,0 14,0 16,0 18,0	8,0	4,1	1,0 - 2,0 2,0 - 4,0 4,0 - 6,0 6,0 - 8,0 8,0 - 10,0 10,0 - 12,0 12,0 - 14,0	1200	800	4,0-9000AL2/AL5-060 4,0-9000AL2/AL5-080 4,0-9000AL2/AL5-100 4,0-9000AL2/AL5-120 4,0-9000AL2/AL5-140 4,0-9000AL2/AL5-160 4,0-9000AL2/AL5-180
4,8	8,0 10,0 12,0 14,0 16,0 18,0	9,5	5,0	2,0 - 4,0 4,0 - 6,0 6,0 - 8,0 8,0 - 10,0 10,0 - 12,0 12,0 - 14,0	1500	1050	4,8-9000AL2/AL5-080 4,8-9000AL2/AL5-100 4,8-9000AL2/AL5-120 4,8-9000AL2/AL5-140 4,8-9000AL2/AL5-160 4,8-9000AL2/AL5-180

### Typ 9000 AL3/A2

FLACHRUNDKOPF



**Werkstoff:**



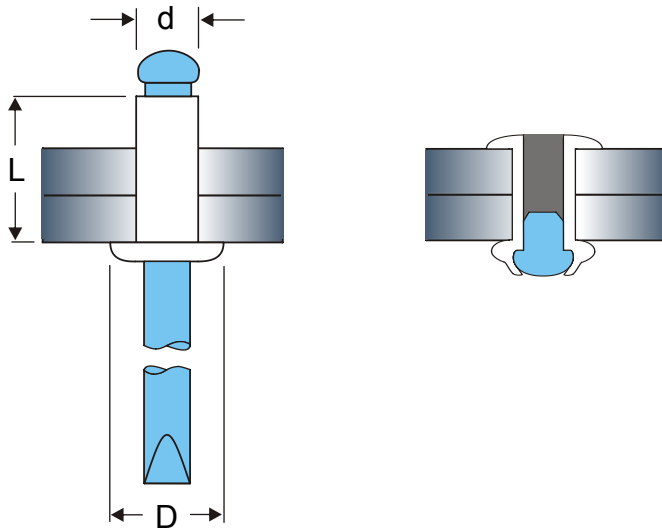
Niethülse: Aluminium - Leg. \*  
Nietnagel: Edelstahl (A2)

\* andere Farb- oder Oberflächenbeschichtungen auf Anfrage

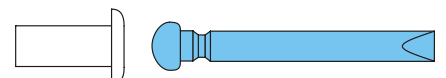
d mm	L mm	D mm	mm	mm	N	N	3B-Artikel- bezeichnung
3,0	6,0 8,0 10,0 12,0	6,0	3,1	1,0 - 3,0 3,0 - 5,0 5,0 - 7,0 7,0 - 9,0	880	640	3,0-9000AL3/A2-060 3,0-9000AL3/A2-080 3,0-9000AL3/A2-100 3,0-9000AL3/A2-120
3,2	6,0 8,0 10,0 12,0	6,5	3,3	1,0 - 3,0 3,0 - 5,0 5,0 - 7,0 7,0 - 9,0	950	680	3,2-9000AL3/A2-060 3,2-9000AL3/A2-080 3,2-9000AL3/A2-100 3,2-9000AL3/A2-120
4,0	6,0 8,0 10,0 12,0 14,0 16,0 18,0 20,0	8,0	4,1	1,0 - 2,0 2,0 - 4,0 4,0 - 6,0 6,0 - 8,0 8,0 - 10,0 10,0 - 12,0 12,0 - 14,0 14,0 - 16,0	1850	1300	4,0-9000AL3/A2-060 4,0-9000AL3/A2-080 4,0-9000AL3/A2-100 4,0-9000AL3/A2-120 4,0-9000AL3/A2-140 4,0-9000AL3/A2-160 4,0-9000AL3/A2-180 4,0-9000AL3/A2-200
4,8	8,0 10,0 12,0 14,0 16,0 18,0 20,0	9,5	5,0	3,0 - 4,0 4,0 - 5,0 6,0 - 7,0 7,0 - 9,0 9,0 - 11,0 11,0 - 13,0 13,0 - 15,0	2950	2170	4,8-9000AL3/A2-080 4,8-9000AL3/A2-100 4,8-9000AL3/A2-120 4,8-9000AL3/A2-140 4,8-9000AL3/A2-160 4,8-9000AL3/A2-180 4,8-9000AL3/A2-200

Typ 9000 AL3/ST

FLACHRUNDKOPF



Werkstoff:



Niethülse: Aluminium - Leg. \*  
Nietnagel: Stahl, verzinkt

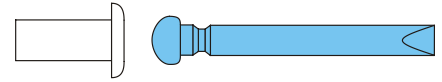
\* andere Farb- oder Oberflächenbeschichtungen auf Anfrage

d mm	L mm	D mm	mm	mm	N	N	3B-Artikel- bezeichnung
2,4	6,0 8,0 10,0 12,0	5,0	2,5	0,5 - 3,0 3,0 - 5,0 5,0 - 7,0 7,0 - 9,0	440	350	2,4-9000AL3/ST-060 2,4-9000AL3/ST-080 2,4-9000AL3/ST-100 2,4-9000AL3/ST-120
3,0	6,0 8,0 10,0 12,0 14,0 16,0 18,0	6,0	3,1	2,0 - 3,0 3,0 - 5,0 5,0 - 7,0 7,0 - 9,0 9,0 - 11,0 11,0 - 13,0 13,0 - 15,0	880	640	3,0-9000AL3/ST-060 3,0-9000AL3/ST-080 3,0-9000AL3/ST-100 3,0-9000AL3/ST-120 3,0-9000AL3/ST-140 3,0-9000AL3/ST-160 3,0-9000AL3/ST-180
3,2	6,0 8,0 10,0 12,0 14,0 16,0 18,0	6,5	3,3	0,5 - 3,0 3,0 - 5,0 5,0 - 7,0 7,0 - 9,0 9,0 - 11,0 11,0 - 13,0 13,0 - 15,0	950	680	3,2-9000AL3/ST-060 3,2-9000AL3/ST-080 3,2-9000AL3/ST-100 3,2-9000AL3/ST-120 3,2-9000AL3/ST-140 3,2-9000AL3/ST-160 3,2-9000AL3/ST-180
3,4	6,0 7,0 9,0 11,0 12,0 14,0 16,0 18,0 20,0	7,0	3,5	0,5 - 3,0 3,0 - 4,0 4,0 - 6,0 6,0 - 8,0 8,0 - 9,0 9,0 - 11,0 11,0 - 13,0 13,0 - 15,0 15,0 - 17,0	1100	750	3,4-9000AL3/ST-060 3,4-9000AL3/ST-070 3,4-9000AL3/ST-090 3,4-9000AL3/ST-110 3,4-9000AL3/ST-120 3,4-9000AL3/ST-140 3,4-9000AL3/ST-160 3,4-9000AL3/ST-180 3,4-9000AL3/ST-200

## Typ 9000 AL3/ST



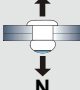
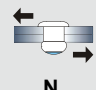
FLACHRUNDKOPF

**Werkstoff:**



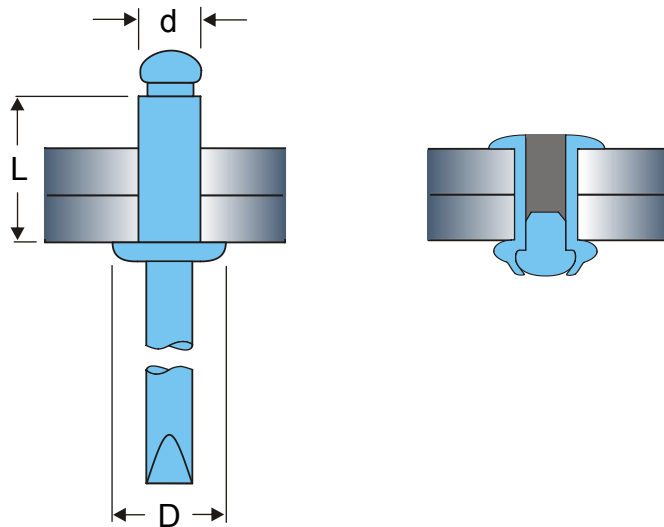
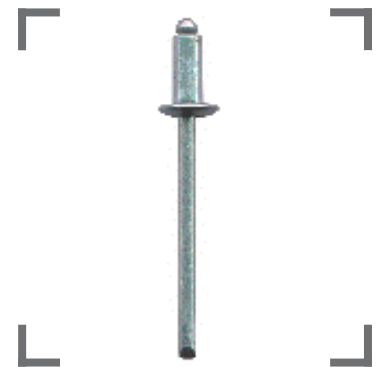
Niethülse: Aluminium - Leg. \*  
Nietnagel: Stahl, verzinkt

\* andere Farb- oder Oberflächenbeschichtungen auf Anfrage

d mm	L mm	D mm	 mm	 mm	 N	 N	3B-Artikel- bezeichnung
4,0	5,0	8,0	4,1	0,5 - 1,5	1850	1300	4,0-9000AL3/ST-050 4,0-9000AL3/ST-060 4,0-9000AL3/ST-080 4,0-9000AL3/ST-100 4,0-9000AL3/ST-120 4,0-9000AL3/ST-140 4,0-9000AL3/ST-160 4,0-9000AL3/ST-180 4,0-9000AL3/ST-200 4,0-9000AL3/ST-250 4,0-9000AL3/ST-300
	6,0						
	8,0						
	10,0						
	12,0						
	14,0						
	16,0						
	18,0						
	20,0						
	25,0						
	30,0						
	21,5 - 26,5						
	4,8			6,0			
8,0							
10,0							
12,0							
14,0							
16,0							
18,0							
20,0							
25,0							
30,0							
35,0							
40,0							
45,0							
50,0							
21,0 - 26,0							
6,0	8,0	12,0	6,1	2,0 - 3,0	4350	2730	6,0-9000AL3/ST-080 6,0-9000AL3/ST-100 6,0-9000AL3/ST-120 6,0-9000AL3/ST-150 6,0-9000AL3/ST-180 6,0-9000AL3/ST-220 6,0-9000AL3/ST-260 6,0-9000AL3/ST-300 6,0-9000AL3/ST-350 6,0-9000AL3/ST-400
	10,0						
	12,0						
	15,0						
	18,0						
	22,0						
	26,0						
	30,0						
	35,0						
	40,0						
	17,0 - 21,0						
6,4	8,0	12,0	6,5	2,0 - 3,0	6190	3700	6,4-9000AL3/ST-080 6,4-9000AL3/ST-100 6,4-9000AL3/ST-120 6,4-9000AL3/ST-150 6,4-9000AL3/ST-180 6,4-9000AL3/ST-220 6,4-9000AL3/ST-260 6,4-9000AL3/ST-300 6,4-9000AL3/ST-350 6,4-9000AL3/ST-400
	10,0						
	12,0						
	15,0						
	18,0						
	22,0						
	26,0						
	30,0						
	35,0						
	40,0						
13,0 - 17,0							
7,8	15,0	14,0	8,0	4,0 - 9,0	9600	6630	7,8-9000AL3/ST-150 7,8-9000AL3/ST-180 7,8-9000AL3/ST-220 7,8-9000AL3/ST-260
	18,0						
	22,0						
	26,0						
	12,0 - 16,0						

Typ 9000 ST1/ST

FLACHRUNDKOPF



**Werkstoff:**

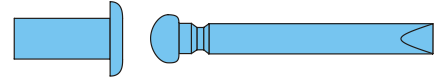
Niethülse: Stahl, verzinkt  
Nietnagel: Stahl, verzinkt

d mm	L mm	D mm	mm	mm	N	N	3B-Artikelbezeichnung
3,0	6,0 8,0 10,0 12,0	6,0	3,1	0,5 - 3,0 3,0 - 5,0 5,0 - 7,0 7,0 - 9,0	1240	980	3,0-9000ST1/ST-060 3,0-9000ST1/ST-080 3,0-9000ST1/ST-100 3,0-9000ST1/ST-120
3,2	6,0 8,0 10,0 12,0	6,5	3,3	0,5 - 3,0 3,0 - 5,0 5,0 - 7,0 7,0 - 9,0	1590	1220	3,2-9000ST1/ST-060 3,2-9000ST1/ST-080 3,2-9000ST1/ST-100 3,2-9000ST1/ST-120
4,0	6,0 8,0 10,0 12,0 14,0 16,0 18,0 20,0 24,0 30,0	8,0	4,1	0,5 - 2,5 2,5 - 4,5 4,5 - 6,5 6,5 - 8,5 8,5 - 10,5 10,5 - 12,5 12,5 - 14,5 14,5 - 16,5 16,5 - 20,0 20,0 - 26,0	2800	1900	4,0-9000ST1/ST-060 4,0-9000ST1/ST-080 4,0-9000ST1/ST-100 4,0-9000ST1/ST-120 4,0-9000ST1/ST-140 4,0-9000ST1/ST-160 4,0-9000ST1/ST-180 4,0-9000ST1/ST-200 4,0-9000ST1/ST-240 4,0-9000ST1/ST-300
4,8	6,0 8,0 10,0 12,0 14,0 16,0 18,0 20,0 24,0 30,0	9,5	5,0	0,5 - 2,0 2,0 - 4,0 4,0 - 6,0 6,0 - 8,0 8,0 - 10,0 10,0 - 12,0 12,0 - 14,0 14,0 - 16,0 16,0 - 20,0 20,0 - 26,0	3600	2800	4,8-9000ST1/ST-060 4,8-9000ST1/ST-080 4,8-9000ST1/ST-100 4,8-9000ST1/ST-120 4,8-9000ST1/ST-140 4,8-9000ST1/ST-160 4,8-9000ST1/ST-180 4,8-9000ST1/ST-200 4,8-9000ST1/ST-240 4,8-9000ST1/ST-300



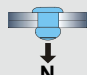
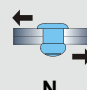
## Typ 9000 ST1/ST

FLACHRUNDKOPF

**Werkstoff:**



Niethülse: Stahl, verzinkt  
Nietnagel: Stahl, verzinkt

d mm	L mm	D mm	 mm	 mm	 N	 N	3B-Artikel- bezeichnung
6,0	12,0 15,0 18,0 22,0 26,0 30,0	12,0	6,1	4,0 - 7,0 7,0 - 10,0 10,0 - 13,0 13,0 - 17,0 17,0 - 21,0 21,0 - 25,0	5690	4850	6,0-9000ST1/ST-120 6,0-9000ST1/ST-150 6,0-9000ST1/ST-180 6,0-9000ST1/ST-220 6,0-9000ST1/ST-260 6,0-9000ST1/ST-300
6,4	12,0 15,0 18,0 22,0 26,0 30,0	12,0	6,5	4,0 - 7,0 7,0 - 10,0 10,0 - 13,0 13,0 - 17,0 17,0 - 21,0 21,0 - 25,0	6490	5160	6,4-9000ST1/ST-120 6,4-9000ST1/ST-150 6,4-9000ST1/ST-180 6,4-9000ST1/ST-220 6,4-9000ST1/ST-260 6,4-9000ST1/ST-300